

# 宁波精典泵阀有限公司

Ningbo JD Pump&Valve Co., Ltd

## 电磁泵规格书

### Specification of electromagnetic pump

客 户 : \_\_\_\_\_

Customer:

品 名 : 电磁泵

Part name: Electromagnetic Pump

型 号 : JD-M300B

Model:

日 期 : \_\_\_\_\_

Date:

页 数 : 共 6 页 ( 包括封面 )

Number of pages:

作 成 Make	审 核 Check	核 准 Recognition

客户承认

Customer Approval

--	--	--	--

宁波精典泵阀有限公司

Ningbo JD Pump&Valve Co., Ltd

## 1. 测试环境 Test Environment:

	项目 Item	规格 Specifications
1-1	测试姿态 Attitude Test	水平 Level
1-2	测试环境温度湿度 Test environment temperature and humidity	周围温度25℃相对湿度 65%RH 为标准.如无争议发生可以在下述环境测试:周围温度10-40℃相对湿度 40-85%RH Ambient temperature of 25 °C relative humidity 65% RH as the standard. If no dispute has arisen in the following environmental tests: ambient temperature of 10-40 °C relative humidity 40-85% RH

## 2. 定格条件 Freeze-frame conditions :

2-1	定格电压 Fixed grid voltage	AC 220V
2-2	电源频率 Power Frequency	50Hz
2-3	空载电流 $\leq 11\text{mA}$ No-load current	使用定格电压供应气泵充气时(不接气缸)的最高电流 $\leq 11\text{mA}$ The maximum current value shall be less than 100mA while pump working (not connect with cylinder) with rate voltage
2-4	空载功率 $\leq 2.4\text{W}$ No-load power	使用定格电压供应气泵充气时(不接气缸)的最大功率值 $\leq 2.4\text{W}$ The maximum power value shall be less than 15W while pump working (not connect with cylinder) with rate voltage
2-5	流量 $\geq 4\text{L}/\text{min}$ Flow	流量: $\geq 4\text{L}/\text{min}$ Air flow: $\geq 4\text{L}/\text{min}$
2-6	压力 $\geq 15\text{ kPa}$ Pressure	使用定格电压供应气泵充气时的最大压力值 15kPa The maximum pressure value shall be morethan 15kPa a While pump working with rate voltage

宁波精典泵阀有限公司

Ningbo JD Pump&amp;Valve Co., Ltd

2-7	噪音≤65dB Noise	气泵水平放置，接入500cc气缸将气泵之下垫5cm之海绵，距噪音计1m处，依电压 AC220V气泵充气。 Pump connected with 500cc cylinder, Putting a 5cm sponge under the pump, and placing it about 1m away from the noise meter, the evaluated noise level shall be less than 65dB While pressurizing with AC 220V
2-8	使用温度范围 Temperature Range	5 ~45°C, 30%~80%RH
2-9	保存温度范围 Storage temperature range	-20 ~70°C, 30%~80%RH

3. 保证性能 Guaranteed performance:

3-1	线圈温升 Coil temperature rise	气泵接入500cc气缸，在额定电压下，置于水平面上，气泵在连续工作状态下，电阻温升测量温升低于65K Pump connected with 500cc cylinder, continuous power at rate voltage on the felt position, the temperature rise of less than 65K with resistance test method
3-2	耐电压 Dielectric	在 AC 1800V 电压下线圈与金属间测试一秒钟后无贯穿，无异常现象(电流≤0.5mA) It has to test between the coil and out metal parts at applying AC 1800V for 1 second (current ≤0.5mA)
3-3	寿命测试 Lifetime	正常负荷时，在额定电压下持续通电工作达 10000 小时以上无异常 The pump is still in a good function after working For 10000 hours continuously with rated voltage

4. 其它 Other :

4-1	电源线强度 Power line intensity	以 2.0 公斤法码与电源线平行负载无异常 To 2.0 Kg France yards and power lines parallel to the load without abnormal
4-2	落下实验 Drop test	使用标准的包装方式，将其从 50cm 的高度分别从正面，侧面，及边角落在水泥地板上，其性能及结构需无异常 Basic performance and structure shall not be defected after following test : with a standard packaging conditions. the dropping it at the front, side and edges part from the height of 50cm to The concrete floor

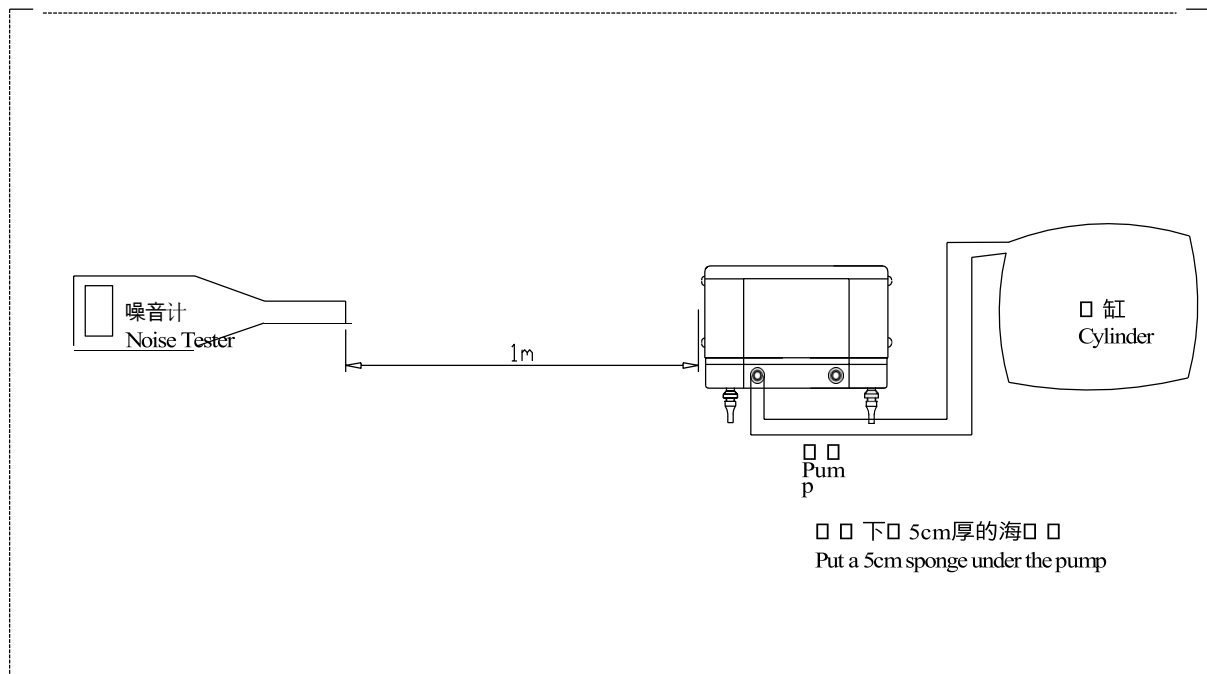
宁波精典泵阀有限公司

Ningbo JD Pump & Valve Co., Ltd

4-3	异常试验 Abnormal test	以 AC 230V 连续 8 小时通电无燃烧、发烟现象 Thereisnoburningandsmokingoccurrencewhilethe power is on with AC 230V for 8 hours continuously
4-4	外观 Appearance	产品无不适当的外观和刮伤, 脏污... 等 Theappearancesofthepumpshallnotcontaincracks and impurities ...
4-5	标签 Label: MODEL NO.: JD-M300B MFG DATE.: Month 2021 VOLTAGE: AC220V/50HZ	

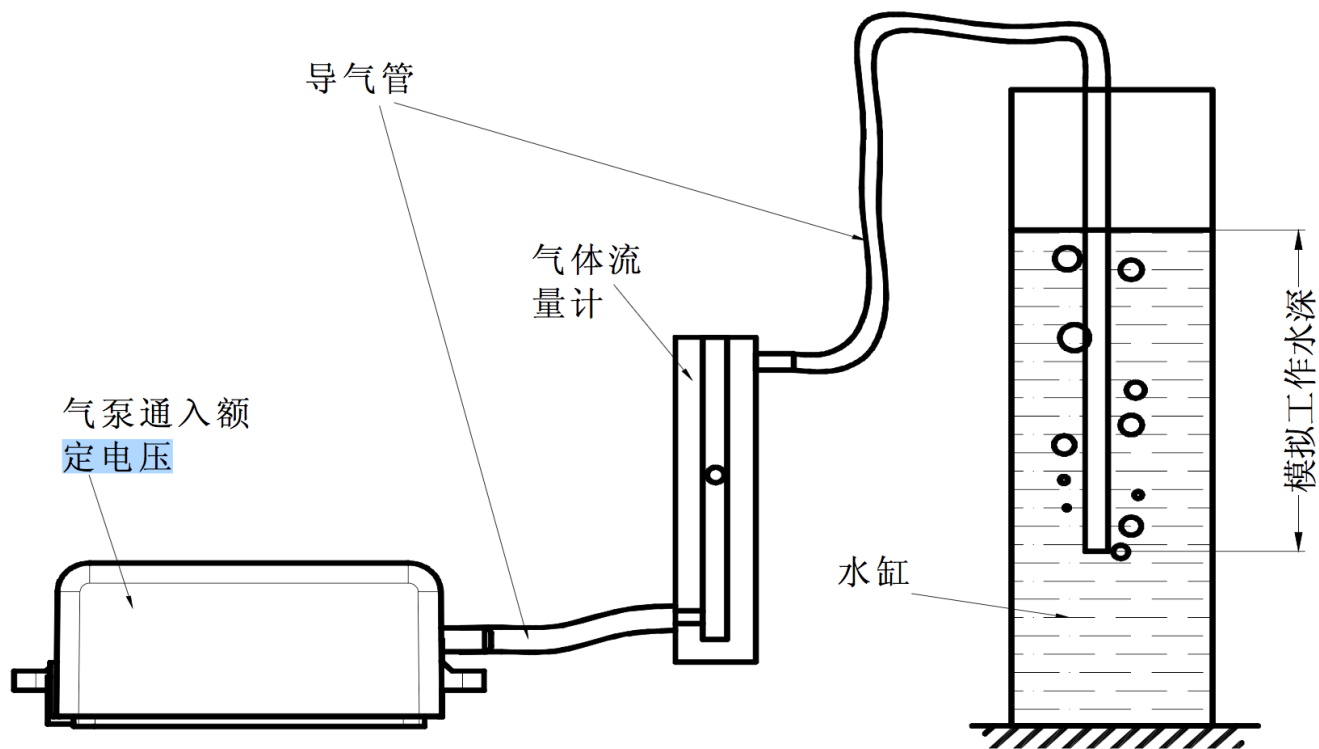
5. 测试模式 Test Mode:

5-1	噪音测试线路图 Noise Test diagram:
-----	-----------------------------

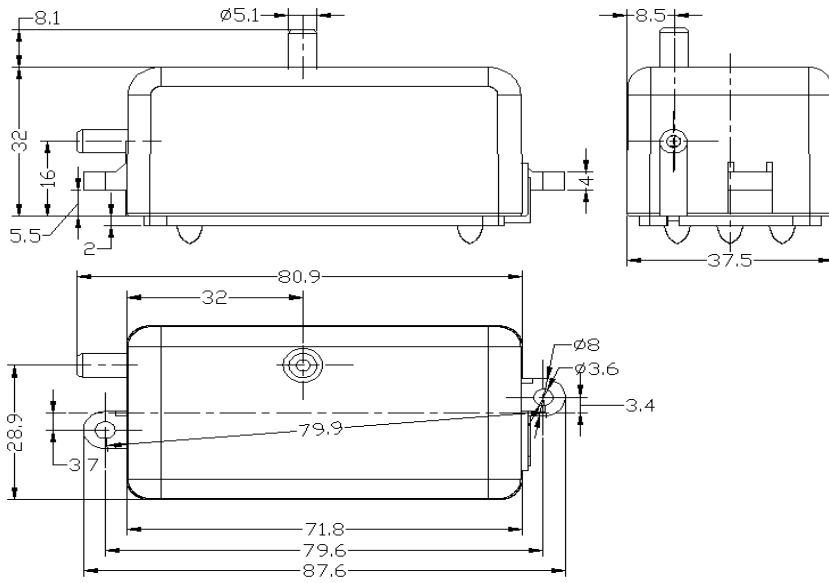


5-2	流量压力测试图 Flow rate and Pressure Test diagram:
-----	--

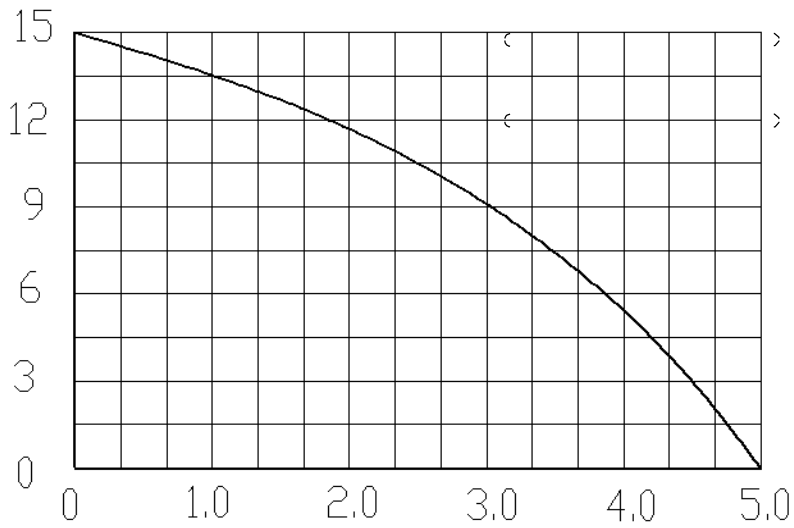
**宁波精典泵阀有限公司**  
 Ningbo JD Pump&Valve Co., Ltd



6.外形图Finished Outline:



压力 (kPa)



流量 (L/min)

宁波精典泵阀有限公司

Ningbo JD Pump&Valve Co., Ltd